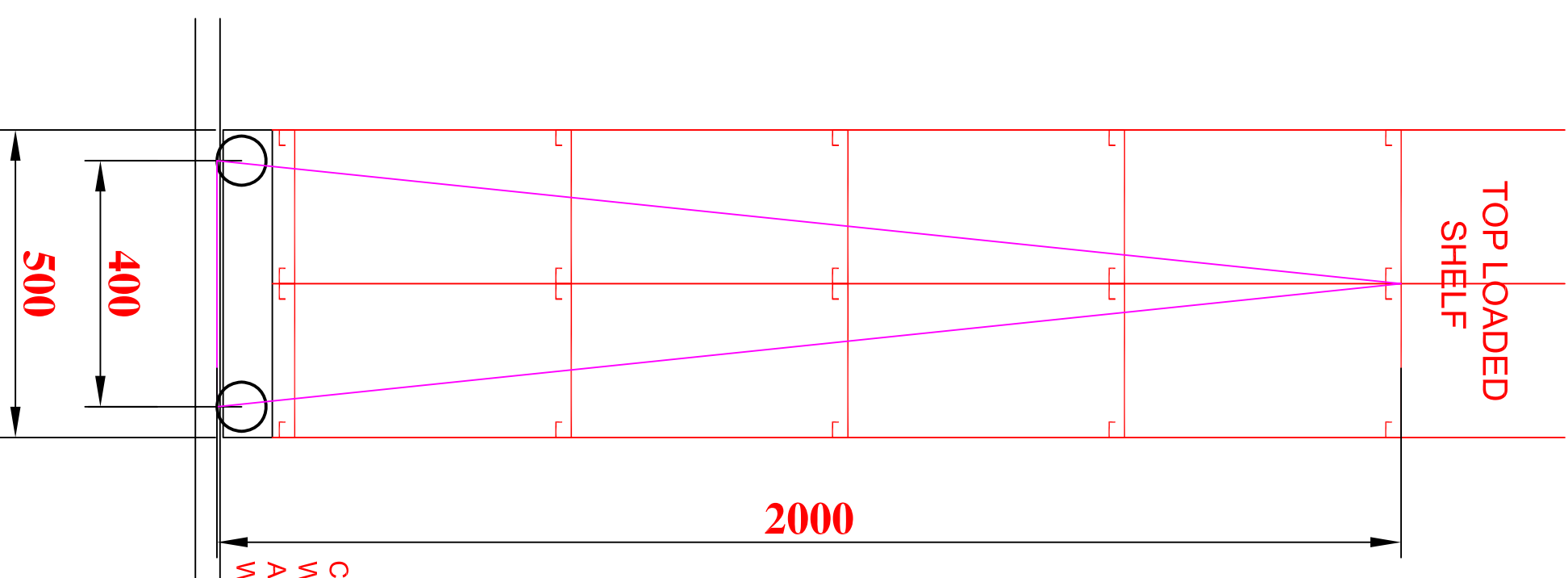
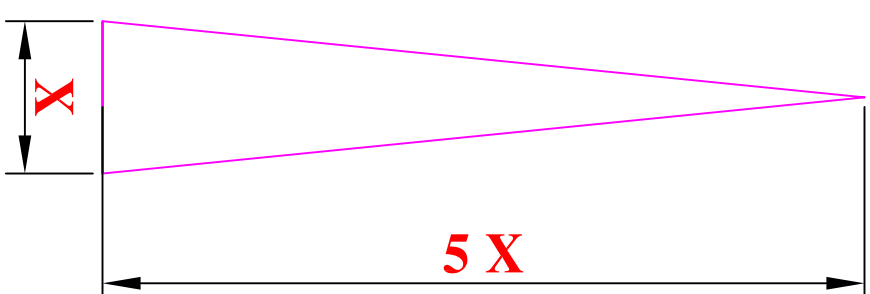


'C' SECTION SIDE CHANNEL
RESTRICTS THE WHEELS BEING
LOCATED CLOSE THE BASE EDGE

BASE TO HEIGHT RATIO IS WHEEL
CENTRE TO TOP LOADED SHELF.
COMMONLY MISTAKEN AS OVERALL
BASE WIDTH TO TOP CANOPY.



CARRIAGE BASE ALLOWS SMALLER
WHEELS TO BE POSITIONED WIDER
ALLOWING A GREATER HEIGHT TO
WIDTH RATIO FROM THE SAME BASE WID